

InLine™ + R

PART OF THE INLINE UV DISINFECTION SERIES

With automatic electric driven cleaning—sleeves and sensors remain deposit free, providing a low maintenance cleaning solution



One NWRI compliant sensor per unit ensures accurate monitoring



Robust electromagnetic ballasts that have a proven design life of 20 years, or electronic ballasts for additional energy savings.



CHEMICAL-FREE DISINFECTION IS HERE!

Population growth, dry climates combined with heavy irrigation/agricultural demands have made advanced treatment and reuse of wastewater a practical solution and necessity.

The InLine+R Series from Aquionics is fully compliant with the NWRI Guidelines. The product utilizes medium pressure lamps allowing for a small footprint and compact design. The InLine+R Series features nine models that were the first closed vessel UV systems to receive NWRI acceptance.

The InLine+R is one of the largest validation envelopes available and validation testing is conducted with media filtration as well as membrane filtration. The InLine+R Series can treat reclaimed water from 80 gpm up to 7 MGD through a single train and a UVT range of 50 to 75%. A detailed third party test report is available.

The use of the calculated dose approach through advanced calibrated sensors for dose monitoring allows units to operate with increased energy efficiency, optimizing operation and maintenance costs. Process variables can be quickly monitored and adjusted at the HMI or remotely via data connections.



AQUIONICS
UV Delivered

InLine™ + R

THE INLINE UV DISINFECTION SYSTEM

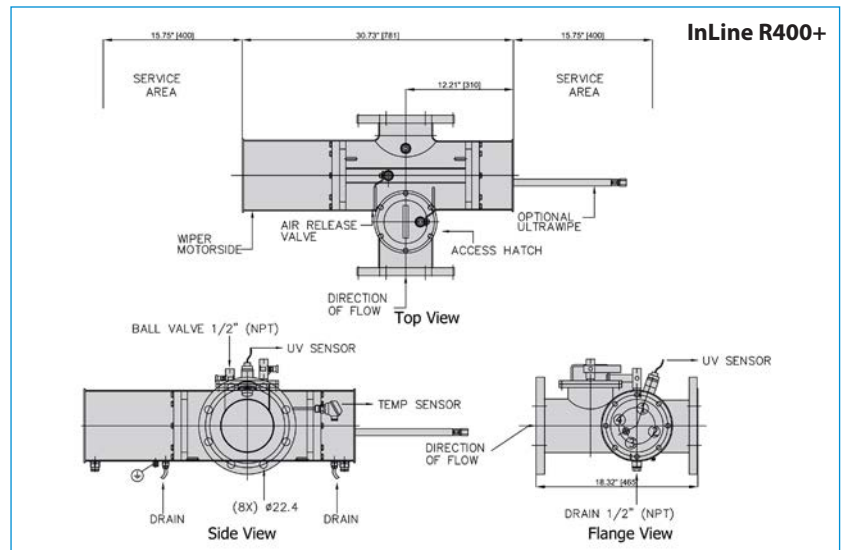


	InLine R400+*	InLine R7500+*	InLine R16000+*	InLine R18000+*
Flange (ANSI) inches	6	14	20	20
Number of Lamps	4	12	12	18
Max Power (kW)	10	48	72	108

Power Supply 480 Volt, 60 Hz, 3-Phase

InLine™ + R

- Validated to NWR1 standards
- UV Validated Sensors (one per vessel)
- Automatic Cleaning with Chemical Option
- Temperature Sensor
- 8000 Hour Lamp Life
- Standard 18 Month Warranty
- CDPH Conditional Acceptance



A HALMA COMPANY

Celebrating 80 Years of Pure Performance from the UV Technology Pioneers



1455 Jamike Ave. Ste. 100 | Erlanger, KY 41018 | P 859.341.0710 | T 800.925.0440 | F 859.341.0350 | WWW.AQUIONICS.COM

Aquionics UV Delivered™ and InLine™ are trademarks of Aquionics.
©2013 Aquionics.

